



# *USER INSTRUCTIONS*

## *Durco® TX3 Triple Offset Butterfly Valve*

FCD DVENIM0061-00-AQ – 11/15

*Installation  
Operation  
Maintenance*



# Contents

1. General Information and Precautions	3
2. Unpacking	4
3. Installation	4
4. Quick-Check	5
5. Preventative Maintenance	6
6. Packing Ring Replacement	6
7. Seal Ring and Seal Ring Gasket Replacement	8
8. Bottom Flange Gasket Replacement	8
9. Troubleshooting	9

# Tables

Table 1: Packing box bolting torque	6
Table 2: Seal retainer and bottom flange bolting torque	8

# Figures

Figure 1: Flow arrow direction indication	4
Figure 2: Piping diagram	5
Figure 3: Exploded view	7
Figure 4: Seal ring replacement	8

# 1. General Information and Precautions

## 1.1 Use

The following instructions are designed to assist in the unpacking, installation, operation and maintenance as required for Flowserve products. Product users and maintenance personnel should thoroughly review this manual prior to installing, operating or performing any maintenance. In most cases, Flowserve accessories, actuators and valves are designed for specific applications (e.g., with regard to medium, pressure and temperature). For this reason, they should not be used in other applications without first contacting the manufacturer.





## 1.2 Applicability

The following instructions are applicable to the maintenance and installation of Flowserve TX3 Triple Offset Butterfly Valves. These instructions cannot claim to cover all details of possible product variations, nor can they provide information for every possible example of installation, operation or maintenance. This means the instructions include only directions to be followed by qualified personnel using the product for its defined purpose. If there are any uncertainties in this respect, particularly in the event of missing product-related information, clarification must be obtained via the appropriate Flowserve sales office. Flowserve user manuals are available at [www.flowserve.com](http://www.flowserve.com).

The following instructions are applicable to the valve body subassembly. Gear operators, actuators and accessories are covered in other manuals. Please refer to those manuals for mounting, setup, usage and maintenance for those items.

## 1.3 Terms Related to Safety

The terms **DANGER**, **WARNING**, **CAUTION** and **NOTE** are used in this document to highlight particular dangers and/or provide additional information on points which may not be clear.

-  **DANGER:** Indicates that death, severe personal injury and/or substantial property damage will occur if proper precautions are not taken.
-  **WARNING:** Indicates that death or severe personal injury and/or property damage may occur if proper precautions are not taken.
-  **CAUTION:** Indicates that minor personal injury and/or serious damage to property may occur if the appropriate precautions are not taken.
-  **NOTE:** Indicates and provides additional technical information which may not be obvious, even to qualified personnel.

Compliance with other notes, which may not be particularly emphasized, with regard to transport, assembly, operation and maintenance and with regard to technical documentation (e.g., in the operating instructions, product documentation or on the product itself) is also essential in order

to avoid faults, which can directly or indirectly cause severe personal injury or property damage.

## 1.4 Personal Protective Equipment

Flowserve products are often used in hazardous applications (e.g., under extremely high pressures with dangerous, toxic or corrosive mediums). When performing service, inspection or repair operations, always ensure the valve and actuator are depressurized, the valve has been cleaned as per applicable MSDS (Material Safety Datasheet) and procedures, and is free of harmful substances. In such cases, pay particular attention to personal protection (e.g., protective clothing, gloves, glasses, downdraft systems, etc.).

## 1.5 Qualified Personnel

Qualified personnel are people who on account of their education, experience, training and knowledge of relevant standards, specifications, accident prevention and operating conditions have been authorized by those responsible for the safety of the plant to perform the necessary work, and recognize and avoid possible dangers.

## 1.6 Spare Parts


Use only Flowserve original spare parts. Flowserve cannot accept responsibility for any damages that occur from using spare parts or fastening materials from other manufacturers or unauthorized modification of original factory parts. If Flowserve products (especially sealing materials) have been stored for long periods of time, check them for corrosion or deterioration before putting them to use.

## 1.7 Service / Repair

To avoid possible injury to personnel or damage to products, safety terms must be strictly adhered to. Modifying this product, substituting non-factory parts, or using maintenance procedures other than those outlined in these installation, operation and maintenance instructions could adversely affect performance, be hazardous to personnel and equipment, and may void existing warranties.

Between the actuator and the valve there are moving parts. To avoid injury, Flowserve provides pinch-point protection in the form of cover plates, especially where side-mounted positioners are fitted. If these plates are removed for inspection, service or repair, special attention is required. After completing work the cover plates must be refitted.

Apart from the operating instructions and the obligatory accident prevention directives valid in the country of use, all recognized regulations for safety and good engineering practices must be followed.

-  **WARNING:** Before products are returned to Flowserve for repair or service, Flowserve must be provided with a certificate that confirms the product has been decontaminated and is clean. Flowserve will not accept deliveries if a certificate has not been provided. (A form can be obtained from Flowserve.)

## 1.8 Storage

In many cases, Flowserve products are manufactured from stainless steel or other corrosion-resistant alloys. Products not manufactured from stainless steel are provided with a corrosion-resistant coating specific to the application. Nevertheless, Flowserve products must be stored adequately in a clean, dry, environmentally controlled area. Any spare parts should be stored in the original packaging and under the same conditions as the valve. Plastic caps are fitted to protect the flange faces and a coating of oil applied to protect the flange faces from corrosion. These caps should not be removed until valve installation.

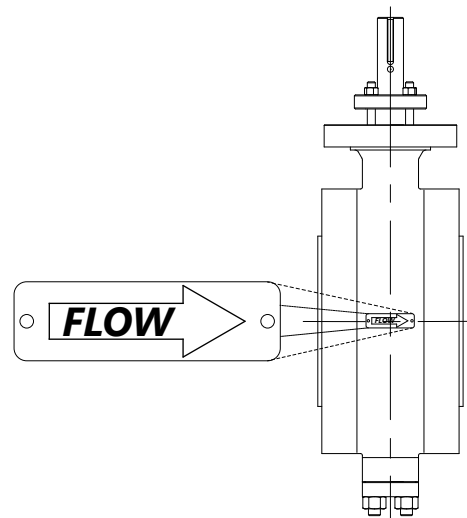
## 2. Unpacking

- 2.1 While unpacking the valve, check the packing list against the materials received. Lists describing the valve and accessories are included in each shipping container.
- 2.2 When lifting the valve from the shipping container, use straps secured around the top and bottom bearing areas or around the valve neck area. Take care to position lifting straps to avoid damage to the tubing and mounted accessories.
  - ▲ **WARNING:** When lifting a valve, be aware the center of gravity may be above the lifting point. Therefore, support must be given to prevent the valve from rotating. Failure to do so can cause serious injury to personnel and damage to the valve and nearby equipment.
  - ▲ **WARNING:** An automated valve assembly should never be lifted by the actuator.
  - ▲ **WARNING:** Never pass a lifting device through the valve port opening or serious damage may occur.
  - ▲ **WARNING:** For fail open valves, the disc will be in open position and care should be taken not to damage the seal ring while handling.
- 2.3 Inspect the valve for damage that may have occurred during shipment. In particular, inspect the actuator, shaft, valve interior, valve body, valve seat and flanges. For proper operation of the valve, the valve seat and seal ring must be undamaged and free of foreign material. Contact your shipper immediately if there is shipping damage.
- 2.4 Should any problem arise, contact your Flowserve representative.
  - ☠ **DANGER:** Before installation, check the order number, serial number and/or tag number to ensure the valve and actuator being installed are correct for the intended application.
  - ▲ **CAUTION:** Do not insulate extensions that are provided for hot or cold services.

## 3. Installation

- 3.1 Before installing the valve, clean the pipeline of all contamination, carbon deposits, welding chips and other foreign material. Carefully clean valve and pipe gasket surfaces free of dirt or oil to ensure a tight seal. Pipelines must be correctly aligned to ensure that the valve is not fitted under tension.
- 3.2 Any required fire protection must be provided by the user.
- 3.3 Check the direction of fluid flow to ensure the valve is correctly installed. The preferred flow direction is indicated by the arrow attached to the body, with the shaft oriented upstream. The best closure performance is obtained with flow in this direction, and a determination as to the best installation should be made to take advantage of this feature. Refer to applicable local facility valve datasheets for more details. This may not necessarily be the normal flow direction of the system.

Figure 1: Flow arrow direction indication



- ☠ **DANGER:** To avoid serious injury, keep hands, hair, clothing, etc. away from the disc and seat when the valve is operated open or close.
- 3.4 Whenever possible, the valve should be installed with the stem in a horizontal position to prevent pipeline debris from collecting around the bottom bearing.
    - ▲ **CAUTION:** Actuation that is installed in a horizontal position must be properly supported to prevent side-loading the valve stem. Consult actuator IOM or technical bulletin for additional guidelines.
  - 3.5 Make sure the valve is installed concentrically between the flanges in order to avoid damage to the disc and interference with the flange and pipeline.

- 3.6 The typical installation for a butterfly valve connected to an elbow would be to align the shaft axis to allow equal flow on each side of the shaft to minimize any dynamic torque effects due to uneven flow through the elbow (see Figure 2 below).
- 3.7 Always use an extension tube between a wafer check valve and the butterfly valve to eliminate potential interference between the butterfly disc and the check valve. Never connect them directly.
- 3.8 Refer to appropriate actuator or accessory IOM for proper procedures for installing and commissioning actuators and control accessories.
- 3.9 Install valve into pipeline, per good industry practice, complying with all local regulations and legal requirements.
- 3.10 Use care when welding valves into the pipeline to avoid excess heat buildup in the valve.
- 3.11 Confirm the capacity of all flange bolts to ensure a sufficiently tight gasket seal for the expected service conditions. It is the user's responsibility to select and install proper flange bolting according to local and industry standards and requirements.

## 4. Quick-Check

Before commissioning, check the valve installation by following these steps:

- 4.1 Check for full stroke by operating the valve actuator as appropriate (manual gear, on-off solenoid or positioner-controlled). Observe the shaft position indicator located on the operator or accessory. The shaft should change position with a smooth turning movement.
- 4.2 Check any actuation and controls per appropriate IOM for air leaks.
- 4.3 Check packing box bolting for proper tightness, referring to Table 1.

**⚠ CAUTION:** Do not over-tighten packing box bolting. This can cause excessive packing wear and high stem friction that may impede shaft movement. After the valve has been in service for a short period, recheck the packing box nuts. If the packing box leaks, tighten the nuts enough to stop the leak.

Figure 2: Piping diagram

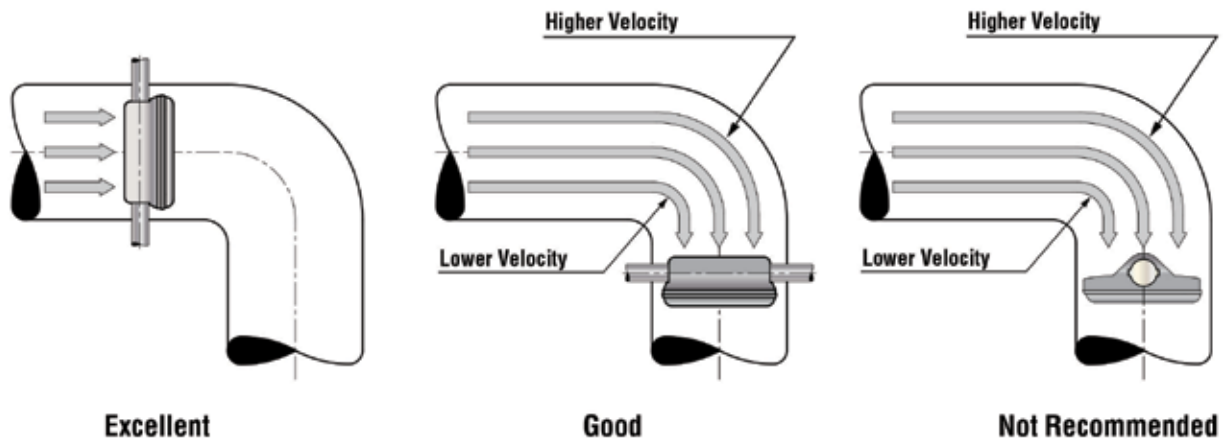


Table 1: Packing box bolting torque

Packing Box Bolting Torque						
NPS	Class 150		Class 300		Class 600	
	ft-lb	Nm	ft-lb	Nm	ft-lb	Nm
3	9	12	9	12	9	12
4	9	12	10	14	26	35
6	9	12	24	33	24	33
8	12	16	16	22	24	33
10	13	18	17	23	48	65
12	16	22	21	28	69	94
14	16	22	33	45	83	113
16	18	24	63	85	106	144
18	21	28	70	95	147	199
20	24	33	77	104	175	237
24	62	84	120	163	325	441

- 4.4 For fail-safe applications, make sure the valve fails in the correct direction. Consult appropriate actuation and accessory IOMs for any potential corrective action.

## 5. Preventative Maintenance

At least once every six months, check for proper operation by following the preventative maintenance steps outlined below. If local facility regulations allow, these steps may be performed while the valve is in-line and without interrupting service.

**▲ WARNING:** Follow all local safety regulations and codes when working on any valve in service. If an internal problem is suspected, refer to Section 9, Troubleshooting.

- 5.1 Look for signs of gasket leakage through the pipe end flanges and bottom flange. If necessary, re-torque the flange bolting.
- 5.2 Examine the valve for damage, such as damage caused by corrosive fumes or process drippings.
- 5.3 Clean the valve and repaint areas of severe oxidation.
- 5.4 Check the packing box for proper tightness. If there is a persistent leak, change the packing after referring to Section 6, Packing Ring Replacement. Refer to Table 1 above for appropriate packing bolt torques.

**▲ CAUTION:** Do not over-tighten packing box bolting. This can cause excessive packing wear and high friction that may impede shaft movement.

- 5.5 If possible, stroke the valve and check for smooth, full-stroke operation. Unsteady shaft movement may indicate an internal valve problem.
- 5.6 For actuated or control valves, consult appropriate actuator and controls IOM for preventative maintenance guidelines for this equipment.

## 6. Packing Ring Replacement

**▲ WARNING:** Only properly trained and experienced technicians should perform the following maintenance steps.

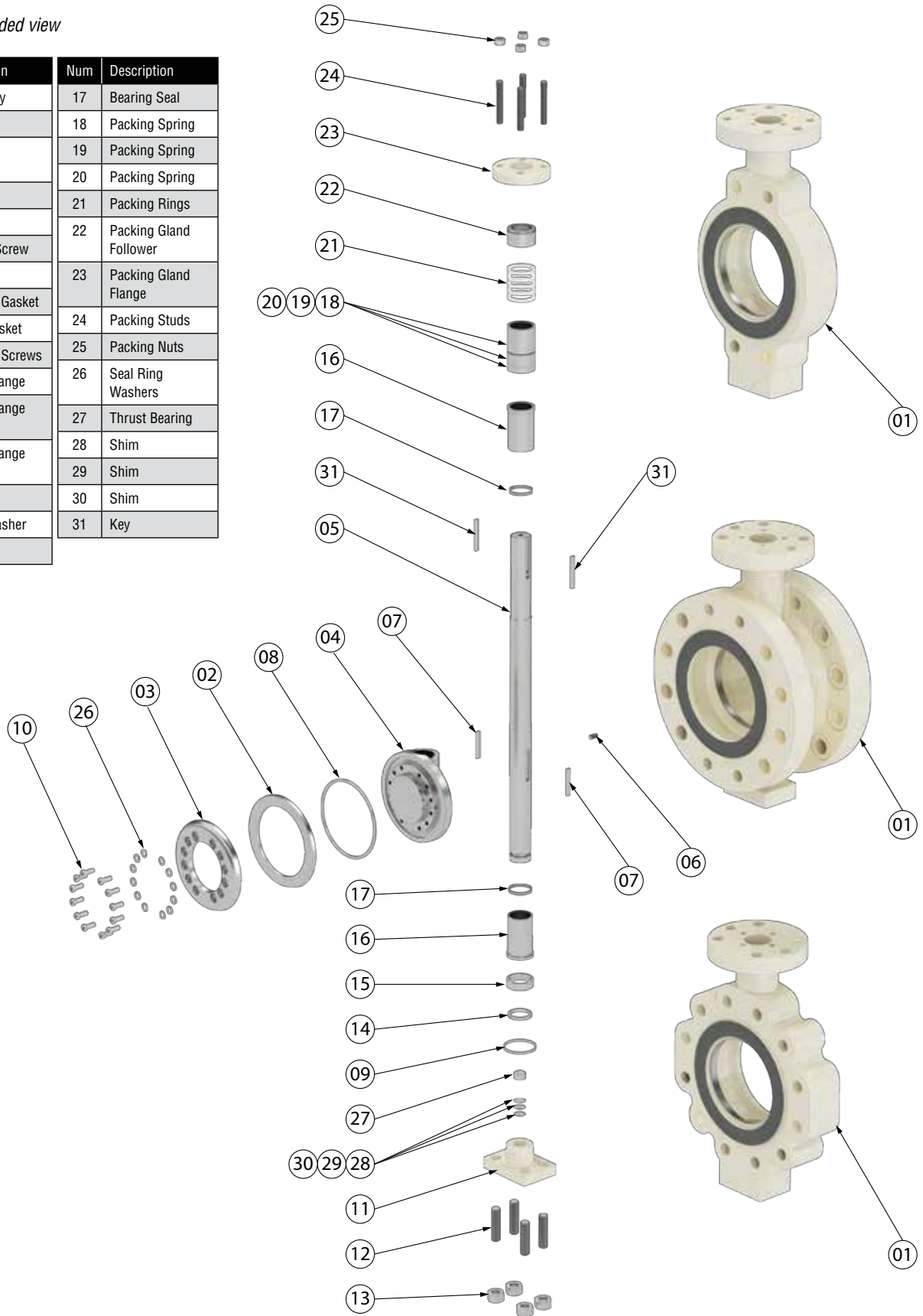
**☠ DANGER:** To carry out this operation, it is essential to disconnect the valve from the pipework. Depressurize line to atmospheric pressure and drain all fluids before working on the valve. Failure to do so can cause serious injury. Remove the valve from the pipeline. Follow local rules and requirements regarding decontamination prior to working on valve.

Refer to Figure 3 to find parts according to the item numbers.

- 6.1 Start with the valve in the closed position. Clamp the valve body (01) securely to a suitable work table. Large valves (12" and larger) should be disassembled in a horizontal position. Lay the body flat on suitable wooden blocks, seat side down. Blocks should be sufficiently thick to allow the disc to open and close without touching. If possible, clamp the body securely such that the valve is stable on the blocks.
- 6.2 Remove Packing Nuts (25), Packing Gland Flange (23) and Packing Gland Follower (22).
- 6.3 Remove Packing Rings (21) from the packing bore. Inspect and clean shaft and packing bore. If either shaft or packing bore surfaces are worn or damaged, consult factory for repair.
- 6.4 Insert replacement Packing Rings into packing bore, taking care not to damage packing during installation.
- 6.5 Insert Packing Gland Follower into packing bore over Packing Rings. It may be necessary to lightly tap the Packing Gland Follower into the packing bore.
- 6.6 Slide Packing Gland Flange onto Packing Gland Follower, and thread Packing Nuts onto Packing Studs (24). Tighten Packing Nuts per torques shown in Table 1.

Figure 3: Exploded view

Num	Description	Num	Description
01	Valve Body	17	Bearing Seal
02	Seal Ring	18	Packing Spring
03	Seal Ring Retainer	19	Packing Spring
04	Disc	20	Packing Spring
05	Shaft	21	Packing Rings
06	Disc Set Screw	22	Packing Gland Follower
07	Key	23	Packing Gland Flange
08	Seal Ring Gasket	24	Packing Studs
09	Flange Gasket	25	Packing Nuts
10	Seal Ring Screws	26	Seal Ring Washers
11	Bottom Flange	27	Thrust Bearing
12	Bottom Flange Studs	28	Shim
13	Bottom Flange Nuts	29	Shim
14	Half Ring	30	Shim
15	Thrust Washer	31	Key
16	Bearing		



## 7. Seal Ring and Seal Ring Gasket Replacement

**⚠ WARNING:** Only properly trained and experienced technicians should perform the following maintenance steps.

**☠ DANGER:** To carry out this operation, it is essential to disconnect the valve from the pipework. Depressurize line to atmospheric pressure and drain all fluids before working on the valve. Failure to do so can cause serious injury. Remove the valve from the pipeline. Follow local rules and requirements regarding decontamination prior to working on valve.

Refer to Figure 3 to find parts according to the item numbers.

- 7.1 Start with the valve in the closed position. Clamp the valve body (01) securely to a suitable work table. Large valves (12" and larger) should be disassembled in a horizontal position. Lay the body flat on suitable wooden blocks, seat side down. Blocks should be sufficiently thick to allow the disc to open and close without touching. If possible, clamp the body securely such that the valve is stable on the blocks.
- 7.2 Loosen the Seal Ring Screws (10) and Seal Ring Washers (26). Remove all but two (2) sets of screws and washers to keep Seal Ring Retainer (03) from falling in the next step.
- 7.3 Open the valve and remove the Seal Ring (02) and Seal Ring Gasket (08). Inspect the seating surface on the body, the Disc (04) and Seal Ring Retainer for damage. If either of these components are damaged, consult factory for repair.
- 7.4 Loosen the Disc Set Screw (06) to allow Disc to float during installation of Seal Ring.
- 7.5 Clean the Disc in preparation to install the seal ring. Install Seal Ring Gasket and then place the Seal Ring onto the disk. Align the Seal Ring with the dowel pin to ensure correct orientation of the seal ring cone.
- 7.6 Place the Seal Ring Retainer on to the Disc. Insert the Seal Ring Washers and Seal Ring Screws into the Seal Ring Retainer and hand-tighten them. The Seal Ring Screws should be loose enough to allow the Seal Ring to float or move within the Seal Ring Retainer.
- 7.7 Clean the seating surface on the body in preparation to close the valve.
- 7.8 Close the Disc into the seat. The Seal Ring is self-centering on the seat when closed. Cycle the valve 5 to 10 times for proper alignment of Seal Ring. When properly performed, there should not be any gaps between the Seal Ring and the seating surface in the body.

- 7.9 Move the Disk to closed position, and then tighten the Seal Ring Screws to the required torque per Table 2.

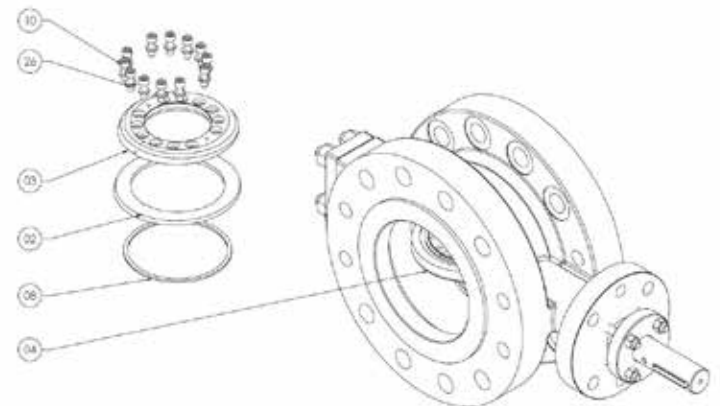
Table 2: Seal retainer and bottom flange bolting torque

Bolt Diameter	ft-lb	Nm
0.19 in	3	4
0.25 in	7	9
0.31 in	15	20
0.38 in	26	35
0.50 in	65	88
0.63 in	130	176
0.75 in	185	254
0.88 in	295	400
1.00 in	337	457
1.13 in	488	662
1.25 in	678	919

**⚠ NOTE:** Prior to installation, apply an approved thread lubricant to the fastener threads. For standard service, use a nickel-based, anti-seize compound. Contact facility for other applications.

- 7.10 With the Disc centered, tighten the Disc Set Screw to lock the disc in place.

Figure 4: Seal ring replacement



## 8. Bottom Flange Gasket Replacement

**⚠ WARNING:** Only properly trained and experienced technicians should perform the following maintenance steps.

**☠ DANGER:** To carry out this operation, it is essential to disconnect the valve from the pipework. Depressurize line to atmospheric pressure and drain all fluids before working on the valve. Failure to do so can cause serious injury. Remove the valve from the pipeline. Follow local rules and requirements regarding decontamination prior to working on valve.



- 8.1 Start with the valve in the closed position. Clamp the valve body (01) securely to a suitable work table. Large valves (12” and larger) should be disassembled in a horizontal position. Lay the body flat on suitable wooden blocks, seat side down. Blocks should be sufficiently thick to allow the disc to open and close without touching. If possible, clamp the body securely such that the valve is stable on the blocks.
- 8.2 Remove the Bottom Flange (11) by loosening the Bottom Flange Nuts (13). Hold the Thrust Bearing (27) while removing the Bottom Flange.
- 8.3 Remove the Bottom Flange Gasket (09) and clean the gasket seating face in the body and the flange.
- 8.4 Clean the top face of the Thrust Bearing and apply approved lubricants to the cleaned surface.
- 8.5 Place a new Bottom Flange Gasket in the gasket groove in the Valve Body (01).
- 8.6 Assemble the Bottom Flange, along with the Thrust Bearing.
- 8.7 Apply approved anti-seize lubricants to the Bottom Flange Studs (12) and tighten the Bottom Flange Nuts per the torques shown in Table 2.

## 9. Troubleshooting

FAILURE	PROBABLE CAUSE	CORRECTIVE ACTION
Valve moves to failure position, regardless of input signal	1. Failure of cylinder actuator O-ring	1. Replace actuator O-ring
	2. Faulty positioner or solenoid valve	2. Replace positioner or solenoid valve
Jerky shaft rotation	1. Overtightened packing	1. Re-tighten packing box nuts per recommended torque in Table 1
	2. Cylinder wall of actuator not lubricated	2. Lubricate cylinder wall with silicone lubricant
	3. Worn piston O-ring allowing piston to gall on cylinder wall	3. Replace O-ring; replace all damaged parts if galling has occurred
	4. Worn actuator stem O-ring causing actuator stem to gall on stem collar	4. Replace O-ring; replace actuator stem if galling has occurred
	5. Worn or damaged thrust bearings, shaft bearing or packing followers	5. Consult factory for repair
Excessive leakage through valve	1. Improper adjustment of actuator stroke stops	1. Remount actuator per actuator IOM
	2. Improper Seal Ring, Seal Ring adjustment or Seal Ring damaged	2. See Section 7: Seal Ring and Seal Ring Gasket Replacement
	3. Worn or damaged seat	3. Consult factory for repair
	4. Improper hand-wheel adjustment acting as limit stop	4. Adjust hand-wheel until disc seats properly
Leakage through line flanges	1. Dirty line gasket surfaces	1. Clean gasket surfaces and reinstall valve
	2. Improper sealing of line flanges	2. Tighten line flanges evenly and completely
	3. Flange or pipe misalignment	3. Reinstall valve in-line; check piping system
Leakage through packing box	1. Loose packing box nuts	1. Re-tighten packing box nuts per recommended torque in Table 1
	2. Worn or damaged packing	2. Replace packing per Section 6: Packing Ring Replacement
	3. Dirty or corroded packing	3. Clean body bore and stem; replace packing per Section 6: Packing Ring Replacement
Valve slams, won't open or causes severe water hammer	1. Improper valve installation	1. See step 3 in Section 3: Installation; correct flow direction
Shaft rotates; disc remains open or closed	1. Broken shaft	1. Consult factory for repair
Actuator operates; shaft does not rotate	1. Broken internal actuator parts	1. Refer to appropriate actuator maintenance instructions
Leakage from end flange	1. Loose bolting or damaged gasket	1. Tighten bolting as recommended in Table 2: Seal retainer and bottom flange bolting torque
	2. Dirty gasket surfaces	2. Clean gasket surfaces; replace gaskets and re-tighten bolting per Table 2



**United States**

**Flowserve**

1978 Foreman Drive  
Cookeville, TN 38501  
USA  
Phone: +1 931 432 4021  
Fax: +1 931 432 3105

**Germany**

**Flowserve (Ahaus) GmbH**

Von Braun Strasse 19 a  
D-48683 Ahaus  
Germany  
Phone: +49 2561 686-0  
Fax: +49 2561 868-39

**India**

**Flowserve India Controls Pvt. Ltd.**

B-8, MMDA Industrial Area,  
Maraimalai Nagar, Tamil Nadu  
India 603 0209  
Phone: +91 44 27452323  
Fax: +91 44 2745 2327

**Singapore**

**Flowserve Pte. Ltd.**

12 Tuas Avenue 20  
Republic of Singapore 638824  
Singapore  
Phone: +65 6879 8900  
Fax: +65 6862 4940

**FCD DVENIM0061-00-AQ** November 2015

***To find your local Flowserve representative***

or for more information about Flowserve Corporation, visit  
[www.flowserve.com](http://www.flowserve.com).

Flowserve Corporation has established industry leadership in the design and manufacture of its products. When properly selected, this Flowserve product is designed to perform its intended function safely during its useful life. However, the purchaser or user of Flowserve products should be aware that Flowserve products might be used in numerous applications under a wide variety of industrial service conditions. Although Flowserve can (and often does) provide general guidelines, it cannot provide specific data and warnings for all possible applications. The purchaser/user must therefore assume the ultimate responsibility for the proper sizing and selection, installation, operation, and maintenance of Flowserve products. The purchaser/user should read and understand the Installation Operation Maintenance (IOM) instructions included with the product, and train its employees and contractors in the safe use of Flowserve products in connection with the specific application.

While the information and specifications contained in this literature are believed to be accurate, they are supplied for informative purposes only and should not be considered certified or as a guarantee of satisfactory results by reliance thereon. Nothing contained herein is to be construed as a warranty or guarantee, express or implied, regarding any matter with respect to this product. Because Flowserve is continually improving and upgrading its product design, the specifications, dimensions and information contained herein are subject to change without notice. Should any question arise concerning these provisions, the purchaser/user should contact Flowserve Corporation at any one of its worldwide operations or offices.

© 2015 Flowserve Corporation, Irving, Texas, USA. Flowserve is a registered trademark of Flowserve Corporation.